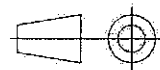
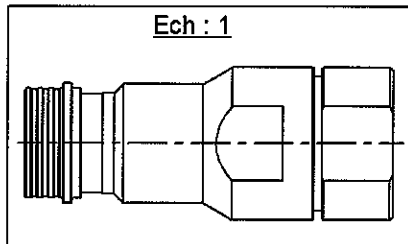
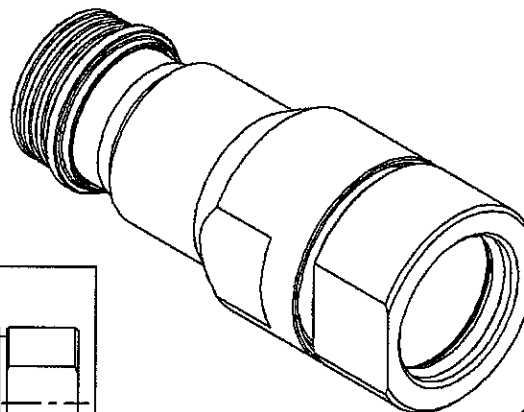
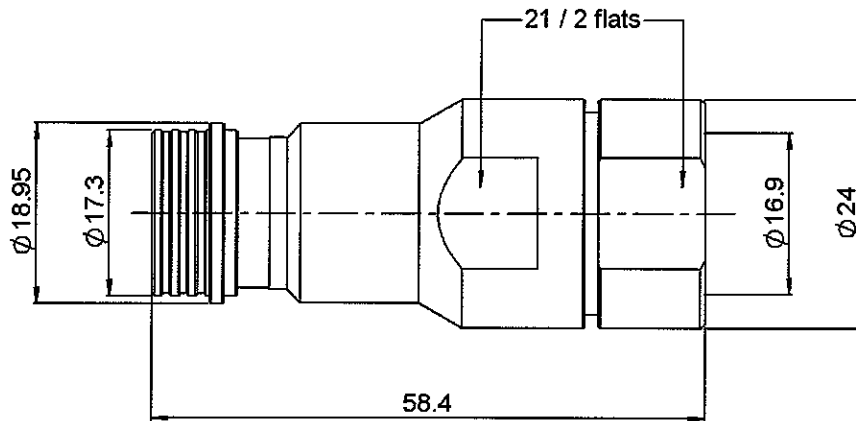


STRAIGHT PLUG EZ-FIT
CABLE 1/2" FLEXIBLE CORRUGATED

R164.091.000

Series : QN



All dimensions are in mm.

COMPONENTS	MATERIALS	PLATINGS (µm)
BODY	BRASS	BBR 0.5 OVER SILVER 3
CENTER CONTACT	BERYLLIUM COPPER	SILVER 5 PASSIVATED OVER COPPER 0.5
OUTER CONTACT	BERYLLIUM COPPER	GOLD 0.3 OVER CHEMICAL NICKEL
INSULATOR	PTFE	
GASKET	EPDM	
OTHERS PARTS	BRASS	BBR 2
-	-	-
-	-	-

Issue : 0519 C

In the effort to improve our products, we reserve the right to make changes judged to be necessary.



STRAIGHT PLUG EZ-FIT
CABLE 1/2" FLEXIBLE CORRUGATED

R164.091.000

Series : QN

PACKAGING

Standard	Unit	Other
1	-	Contact us

SPECIFICATION

ELECTRICAL CHARACTERISTICS

Impedance		50 Ω
Frequency		*0-6 GHz
VSWR	1.05 +	0.025 x F(GHz) Maxi
Insertion loss		0.048 √F(GHz) dB Maxi
RF leakage	- (** 90 - F(GHz)) dB Maxi
Voltage rating		1400 Veff Maxi
Dielectric withstanding voltage		2500 Veff mini
Insulation resistance		5000 MΩ mini

CABLE ASSEMBLY

Stripping	a	b	c	d	e	f
mm	5.00	16.0	23.7	0.00	2.70	0.00

Assembly instruction : NA

Recommended cable(s)
LDF4RN-50A-1/2"
LCF 1/2" Cu2y
LDF4-50A - 1/2"
M 1473 Z
M 2831 Z

Characteristics indicated on this data sheet are those that can be achieved with the highest performance cable. Intrinsic limitations of the cable may diminish the performance of the assembly

Cable retention
- pull off 400 N mini
- torque NA N.cm

MECHANICAL CHARACTERISTICS

Center contact retention		
Axial force – Mating end	27	N mini
Axial force – Opposite end	27	N mini
Torque	NA	N.cm mini

TOOLING

Recommended torque		
Mating	NA	N.cm
Panel nut	NA	N.cm
Clamp nut	800	N.cm
A/F clamp nut	21.000	mm

Part Number	Description	Hexagon
R282.011.050	STRIPPING TOOL	

Mating life	100	Cycles mini
Weight	85.900	g

OTHERS CHARACTERISTICS

* Usable 0-11GHz
**RF Leakage: -80dB min 3<F<6GHz
***PIM 3 : -112dbm (2 x 20W at 1.8GHz)

ENVIRONMENTAL

Operating temperature	-55/+125	° C
Hermetic seal	NA	Atm.cm3/s
Panel leakage	NA	

Issue : 0519 C

In the effort to improve our products, we reserve the right to make changes judged to be necessary.



RADIALL®

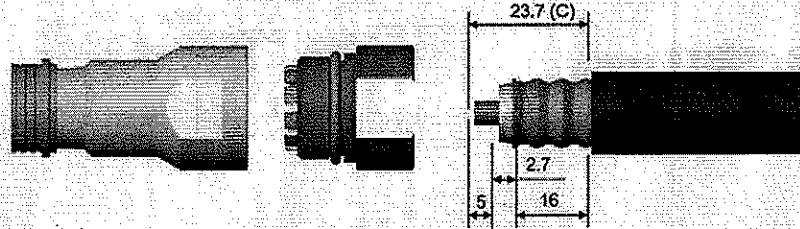
STRAIGHT PLUG EZ-FIT

R164.091.000

CABLE 1/2" FLEXIBLE CORRUGATED

Series : QN

M 08



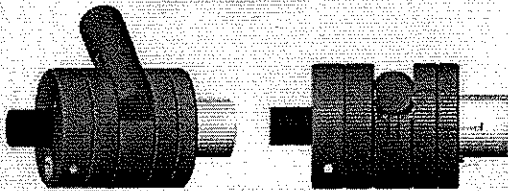
Connectors	stripping tool
R164 091 000	R282 011 050

1

STRIPPING OF THE SHEATH AND THE OUTER CONDUCTOR

Cut the extremity of the cable in the summit of a annelure with a hacksaw (dimension C : 23.7).
 Raise the handle and introduce the cable until it stops in the stripping tool.
 Push down the handle by exerting a light pressure on it , keep turning the tool until it turns freely.
 Hold the handle down , and turn the tool (of approximately ¼ of tour) in the opposite direction , while pulling gently on the cable in order to release pieces of the cable cut.
 Raise the handle , slide the cable out and remove loose pieces of cable.
 In case of cut parts jammed in the tool : raise the handle , introduce again the stripped cable in the tool , screw slightly the cable into the copper previously cut and remove cable + loose parts.
 Push down again the handle.

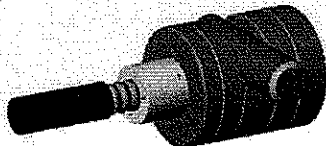
BLADE ADJUSTMENT : The height of blades can be modified with the help of adjustment screw located in the body (see here-hunder).



2

STRIPPING OF THE DIELECTRIC

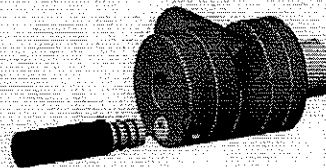
Introduce the cable in the opposite side of the tool
 Turn the tool and exert a light pressure until stop.
 After cutting the dielectric cut will be extracted on the other side of the tool.



3

POINTING OF THE CABLE

Introduce the cable in the tool as shown.
 Turn the tool to point the inner conductor of the cable.



4

CABLE MOUNTING

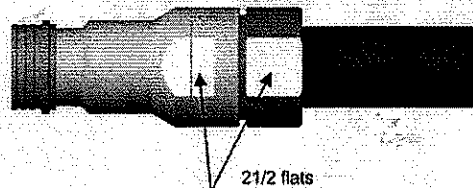
Mount the clamp nut on the cable , until the clipsage of the elastic contact on the first annelure.
 To push the part delers the two press in stop on the elastic contact.



5

CLAMP NUT MOUNTING

Mount the clamp nut with the cable in the body of the connector.
 Couple of lightening recommen ded : 800N.cm



Issue : 0519 C

In the effort to improve our products, we reserve the right to make changes judged to be necessary.



RADIALL®